

Gradian Service Bulletin

GSB-00006

PRIORITY: **HIGH**

Issue: Missing O-Ring and Bellows Cutoff Seal on UAM

Date Published: April 23, 2024

SYMPTOMS

- A missing o-ring and/or bellows cutoff seal can cause leakage in the UAM breathing block assembly during use with the manual bellows or UAMV.



ROOT CAUSE

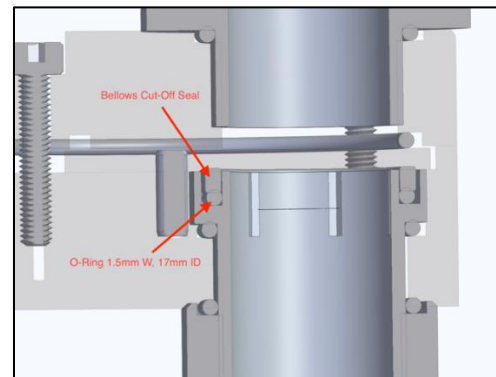
- During assembly of some UAMs, the o-rings and bellows cutoff seals were omitted.

UNITS AFFECTED

- A2302-001 – A2311-076

CORRECTIVE ACTION

- If missing, ensure both replacement o-ring and bellows cutoff seal are fitted.



PARTS INFORMATION

- Bellows cutoff seal (PN: SCXUPT0938)
- O-ring, 1.5mm W, 17mm ID (SCXUPT0937)

TOOL INFORMATION

- 2.5mm hex wrench

WARRANTY COVERAGE

This issue is covered under the Gradian warranty as a manufacturing defect, and the cost of replacement, where necessary, will be covered by Gradian.